

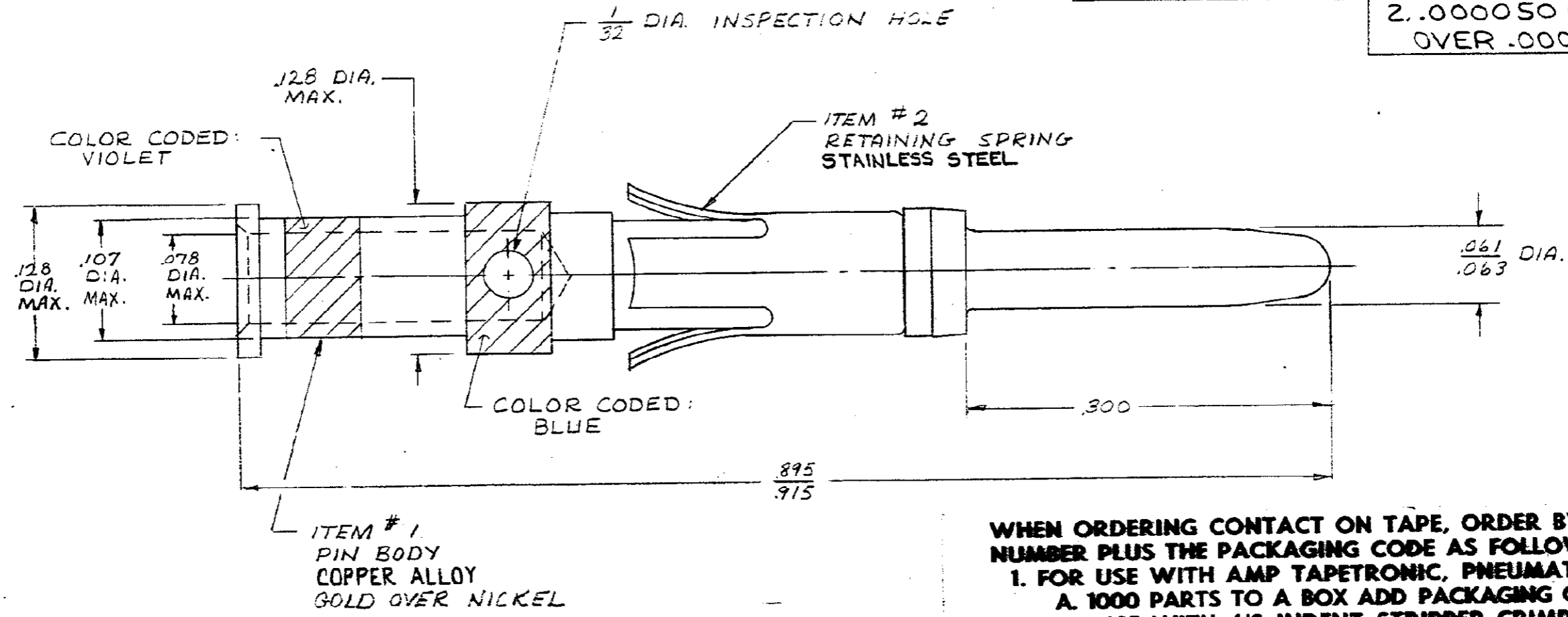
NUMBER 201645

USED ON

201645-1 .000030 MIN GOLD OVER
 1.000050 MIN NICKEL.
 2. LMTD ON TAPE

OBSOLETE 201645-2 1. SAME AS -1 EXCEPT:
 2. .000050 GOLD OVER .000030 NI.

OBSOLETE 201645-3 1. SAME AS -1 EXCEPT:
 2. .000050 GOLD OVER .000030 NI.



WHEN ORDERING CONTACT ON TAPE, ORDER BY THE TAPE NUMBER PLUS THE PACKAGING CODE AS FOLLOWS:

- FOR USE WITH AMP TAPETRONIC, PNEUMATIC TOOL -
 - 1000 PARTS TO A BOX ADD PACKAGING CODE: 1MBOX
- FOR USE WITH 4/8 INDENT STRIPPER CRIMPER -
 - 1000 PARTS TO A REEL ADD PACKAGING CODE: 1MREEL
 - 5000 PARTS TO A REEL ADD PACKAGING CODE: 5MREEL

03

DIMENSIONS IN INCHES. DO NOT SCALE PRINT.

PRINT ON 39

L	REVISED ECN BD2619			THW	3-89
K	OBS-2 PER ECN	S 4359	12/16/88		
J	OBS-3 PER ECN	S 4436	4-88		
H	REVISED	S 4142	9-87		
G	REV PER ECL	B 840	10/18/87		
F	ADDED-3 PER ECN	B 742	5/19/87		
E	NOTE ADDED	B 141	9/14/87		
D	REV. RETAINER SPRING TO SST	Z 208	10/22/86		
C	ADDED - ?	Z 361	88		
B	REVISED	U-5	8-27-83		
A	REVISED	R/DR	4/1/82		
	REVISED	S 341	5-16-82		
	MATZ WAS BRONZE ON RETAINING SPR	S 111	2-21-82		
LTR	REVISION RECORD	ECA	BY	CHK	DATE

MATERIAL SEE CALL OUT	DR 11/11/88 12276/12/88	ENGR 12/28/81
HEAT TREAT H	CHK 1-3-82	APP 12/28/81
FINISH SEE CALL OUT	AMP AMP INCORPORATED HARRISBURG, PENNA.	
NAME #16 PIN CONTACT ASSY SPECIAL SHORT WIRE SIZE #14		
SCALE 10:1	LOC R	NO 201645
		REV L

CUSTOMER DRAWING